

Food Grade Tubs

Hygiene | Sanitation | Safety



For over thirty years, Remco has offered polyethylene tubs and their stainless and galvanized steel undercarriage companions. Ideally designed for handling bulk materials, Remco tubs feature one-piece construction, resulting in a complete lack of seams and crevices for debris and bacteria to hide. Now available in five colors, the transport storage tub and angled dumping tub are an excellent addition to any color-coding program. All tubs have the added flexibility of a custom drain. Remco tubs meet USDA specifications and are commonly used in the meat, seafood, poultry, commercial fishing, confectionery, bakery and grain industries.

Tubs and Undercarriages



Angled Dump Tub 6901x
Angled Dump Tub with Drain 6905x
Green, Blue, Red, White, Yellow

Brand	Material	Dimensions	Capacity	FDA Compliant
Remco	Polyethylene	30.5" x 54.7" x 20.6"	102½ Gal.	Yes



Transport Storage Tub 6911x
Transport Storage Tub with Drain 6915x
Green, Blue, Red, White, Yellow

Brand	Material	Dimensions	Capacity	FDA Compliant
Remco	Polyethylene	26" x 46.6" x 16.2"	70 Gal.	Yes



Lid for Dump Tub
6902x
Green, Blue, Red, White, Yellow

Brand	Material	Dimensions	FDA Compliant
Remco	Polyethylene	31" x 55.5" x 2"	Yes



Lid for Transport Storage Tub
6912x
Green, Blue, Red, White, Yellow

Brand	Material	Dimensions	FDA Compliant
Remco	Polyethylene	26.5" x 47" x 1.7"	Yes



Galvanized Dumping Undercarriage
6903
Galvanized Steel

Brand	Material	Dimensions	FDA Compliant
Remco	Galvanized Steel	43.5" x 27.25" x 18.5"	No



Galvanized Undercarriage
6913
Galvanized Steel

Brand	Material	Dimensions	FDA Compliant
Remco	Galvanized Steel	42.5" x 21.5" x 9.5"	No



Galvanized Low Undercarriage
6904
Galvanized Steel

Brand	Material	Dimensions	FDA Compliant
Remco	Galvanized Steel	40" x 35" x 10"	No



Aero-Tote Tub 6921
Aero-Tote Tub with Drain 6925
White

Brand	Material	Dimensions	Capacity	FDA Compliant
Remco	Polyethylene	36" x 40" x 21.1"	108 Gal.	Yes



Stainless Dumping Undercarriage
6906
Stainless Steel

Brand	Material	Dimensions	FDA Compliant
Remco	Stainless Steel	43.5" x 27.25" x 18.5"	No



Aero-Tote Lid
6922
White

Brand	Material	Dimensions	FDA Compliant
Remco	Polyethylene	36.5" x 41" x 2"	Yes



Aero-Tote Pallet
6923
White

Brand	Material	Dimensions	FDA Compliant
Remco	Polyethylene	32.7" x 37.2" x 9.5"	Yes

REMCO PRODUCTS

For assistance with tub or undercarriage related questions, please contact us at cs@remcoproducts.com or call (317) 876-9856.

Sets

Angled Dump Tubs(6901x) may be paired with the following:

- Lid for Dump Tub(6902x)
- Galvanized Steel Dumping Undercarriage(6903)
- Galvanized Low Undercarriage(6904)
- Stainless Steel Dumping Undercarriage(6906)

Transport Storage Tubs(6911x) may be paired with the following:

- Lid for Transport Storage Tub(6912x)
- Galvanized Steel Undercarriage(6913)

Aero-Tote Tubs(6921) may be paired with the following:

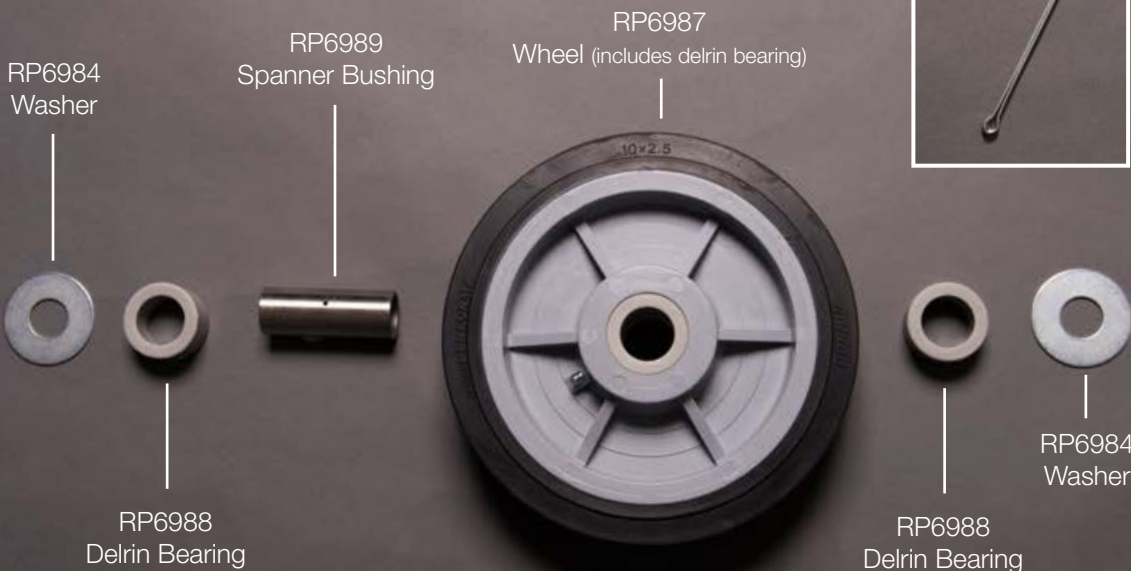
- Lid for Aero-Tote Tub(6922)
- Pallet for Aero-Tote Tub (6923)



Undercarriage replacement parts

Replacement 10" Wheel and Parts

(For use with 6903 or 6906)



Replacement Swivel Caster Assembly



RP6913 Swivel Caster Assembly

Replacement includes pre-assembled swivel bracket and caster wheel. For use with 6903, 6906, 6913.

Replacement parts:
 RP6950 - Lock Washer
 RP6952 - Hex Head Bolt, 3/8"
 RP6954 - Nut, 3/8"

Wheel Assembly: Put one washer on the axle first then the spanner bushing slides directly over the axle. Delrin bearing slides into the wheel on each side flush with the outside of the core. (If ordering a new 10" wheel it will include the delrin bearing.) Then slide the wheel over the spanner bushing. Slide second washer on the axle and insert cotter pin.

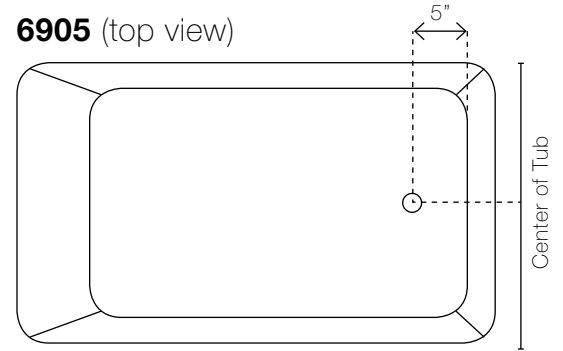
Tubs with Drains and Plugs

Remco tubs may have a drain hole added along any flat surface of the tub. Remco has identified typical locations for placement of drains in each of the tubs. However, custom drain placement is also available upon request.

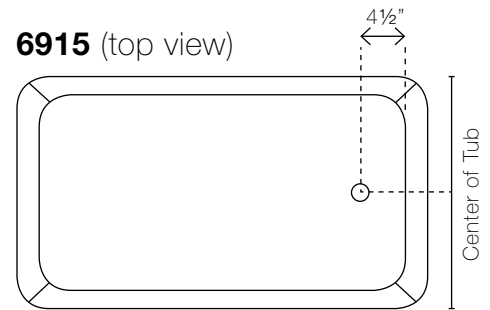
Typical placements of drains on tubs:

- 6905 (Angled Dump Tub)**
 - 5" from short edge and center of tub
 - This leaves $\approx 3\frac{3}{4}$ " from side of tub to the outside weld for undercarriage(6904)
- 6915 (Transport Tub)**
 - 4½" from short edge and center of tub
 - This leaves $\approx 3\frac{1}{2}$ " from side of tub to the outside weld for undercarriage(6913)
- 6925 (Aero-Tote)**
 - 3⅞" from long edge and center of tub
 - To access an aero-tote plug, a hole may be cut in the aero-tote pallet(6923)

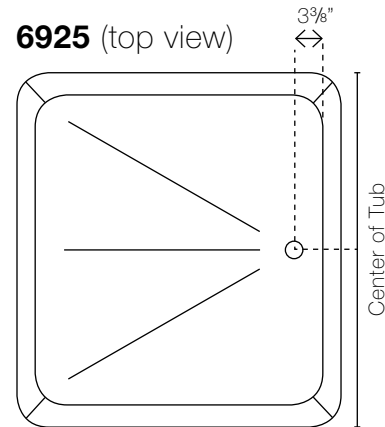
6905 (top view)



6915 (top view)



6925 (top view)



All renderings above are approximate representations of where drain locations are typically placed.

Left:

- ¹ - Close-up of an open tub drain
- ² - Close-up of a tub drain with plug inserted
- ³ - Close-up of an "open" drain plug
- ⁴ - Shot of Aero-tote pallet customized with a hole to allow for access to Aero-tote drain plug



RP6928



Remco Products Corporation

4735 West 106th Street
Zionsville, Indiana 46077

PHONE: 317.876.9856 | FAX: 800.585.8619

www.remcoproducts.com